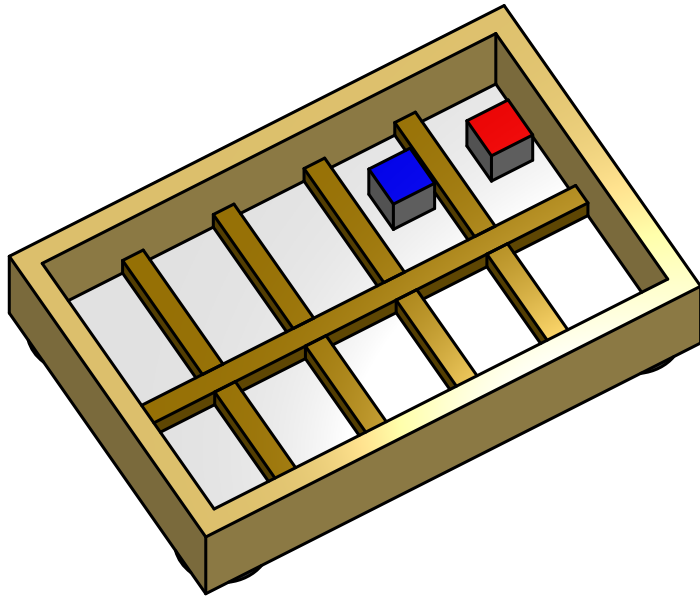


Build your own ten-frame!

1.2.1

(Adult supervision recommended for children under 10)

A ten-frame is a drawing or board you can use to visualize numbers and model addition and subtraction for small numbers. It's sort of a simplified abacus. Your child's kindergarten or pre-school teacher can tell you more about this.



Build a ten-frame with this enclosed kit. Your children can help. The kit contains:

- One pre-made 4x6 inch wood frame
- Two ¼-inch wood dowels, scored with locations to snap (It's soft balsa – you can snap by hand.)
- One paper template to help show where to place the dowel pieces in the frame (step 2)
- Sandpaper
- 4 Furniture pads
- 10 ½-inch wood blocks for counting, addition, and subtraction

If you're downloading these instructions from the web, you can get similar materials at Michaels, Ace Hardware, Amazon.com, or Hobby Lobby for about \$5.

You will also need:

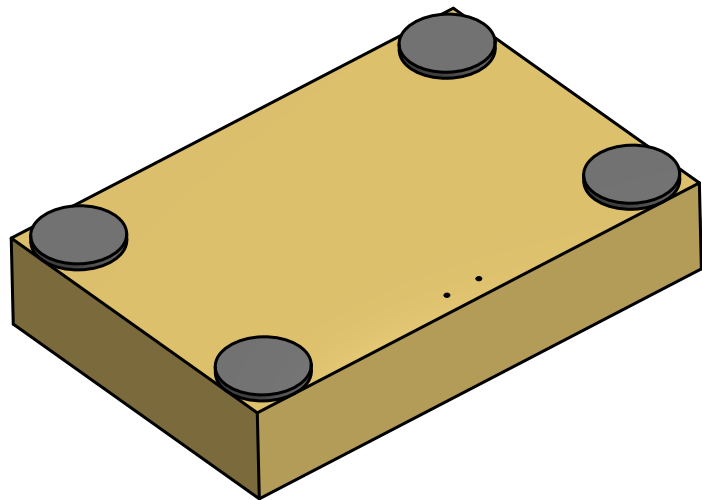
- Wood glue or all-purpose white glue
- Scissors



stevenvictor.net/tenframe
Created in Onshape www.onshape.com
Some icons from flaticon.com
Copyright Steven Mycynek 2021

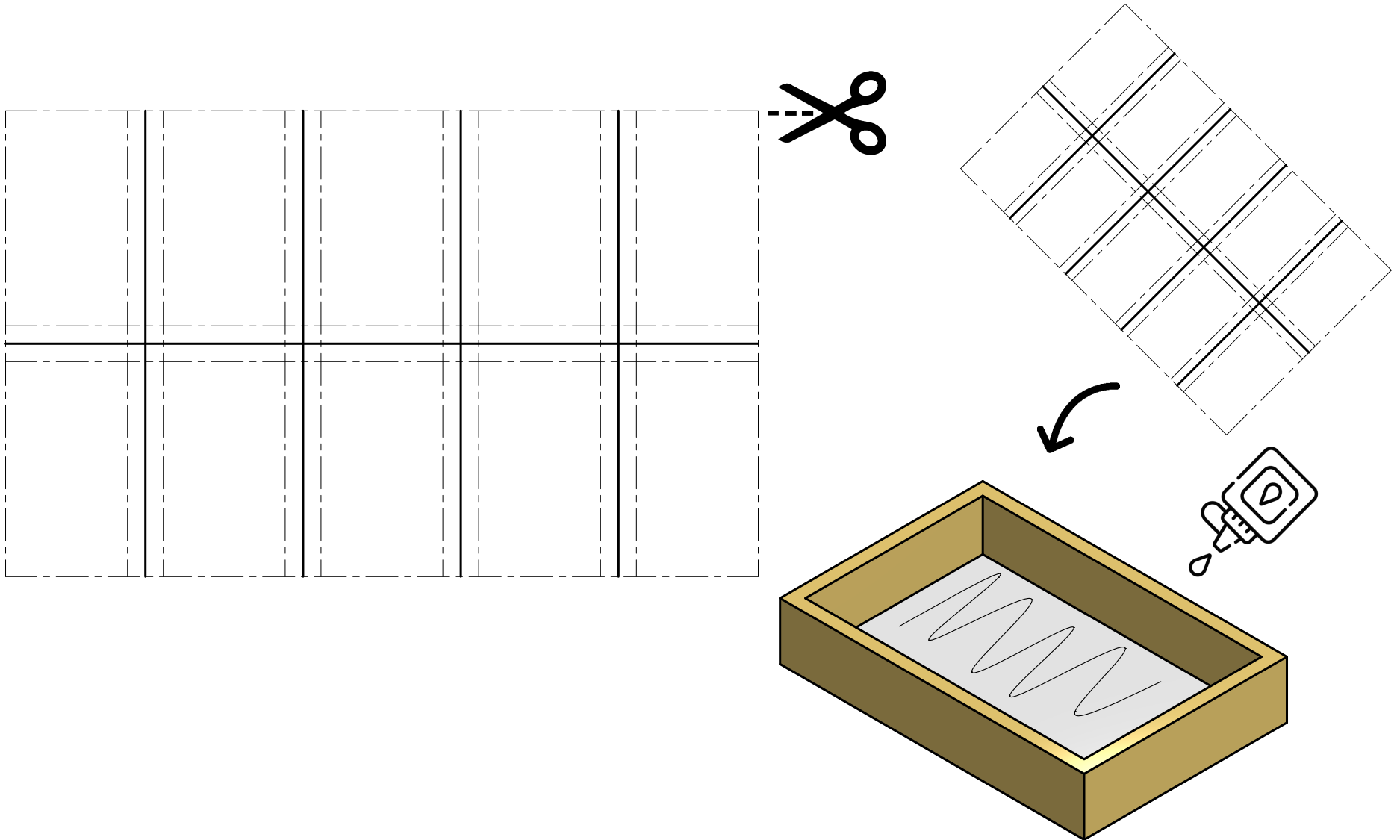
Step 1

Place the furniture pads on the bottom of the frame as shown to avoid scratching tables and floors. Remove the brass wall hanger if it is still attached.



Step 2

Cut out and glue this paper template into the base of the frame as shown. The dowel pieces will go along the template lines in step 4.

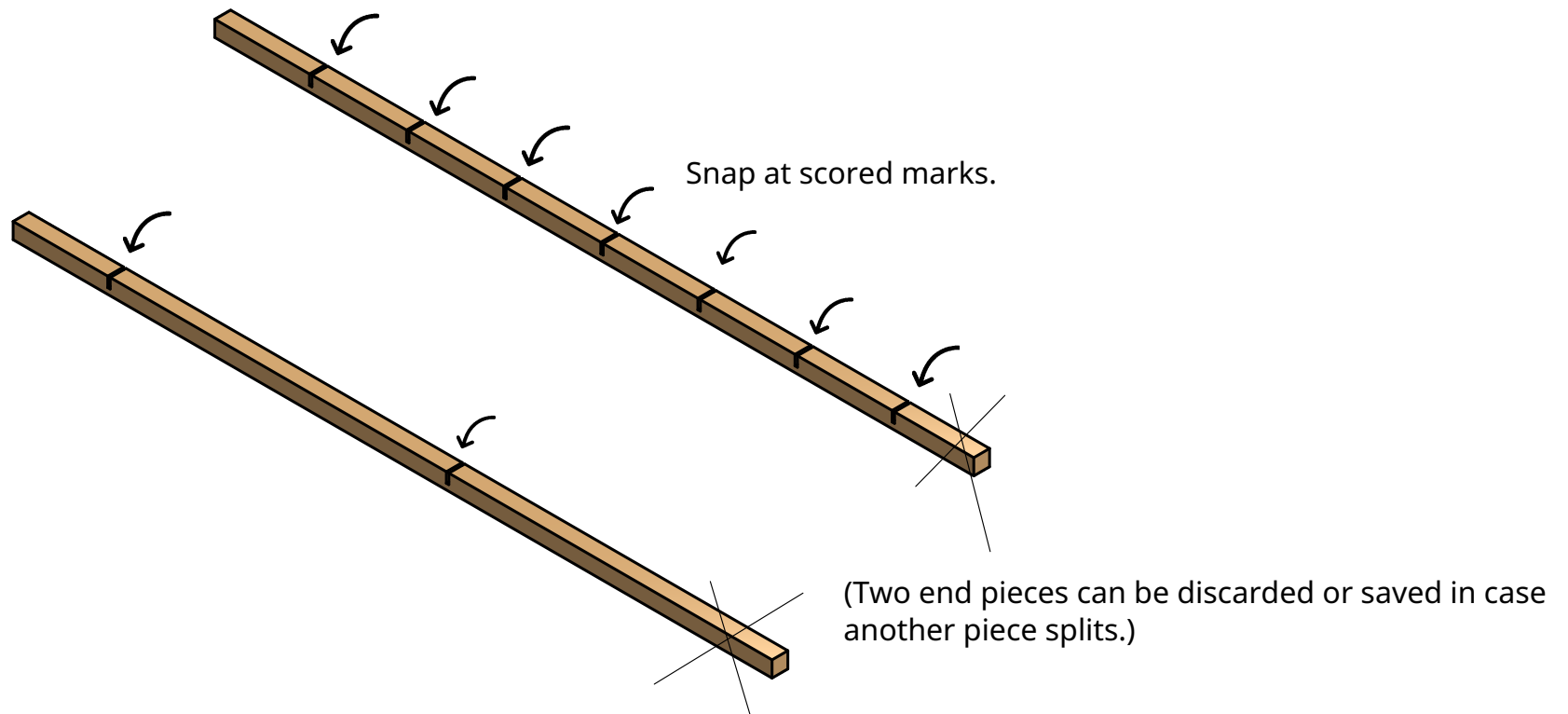


Step 3

Snap the wooden dowels at each scored mark. You will end up with:

- 1 long piece, 135mm
- 8 short pieces, 38mm each

These measurements may be a bit long, but after you sand down the rough edges in the next step, they will fit into the frame. There are dowel cutting templates included if your kit does not have them pre-scored.

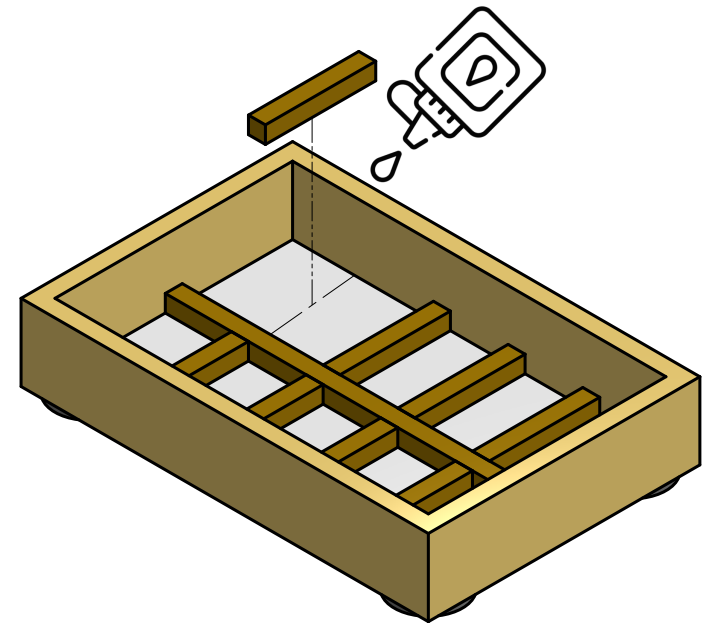
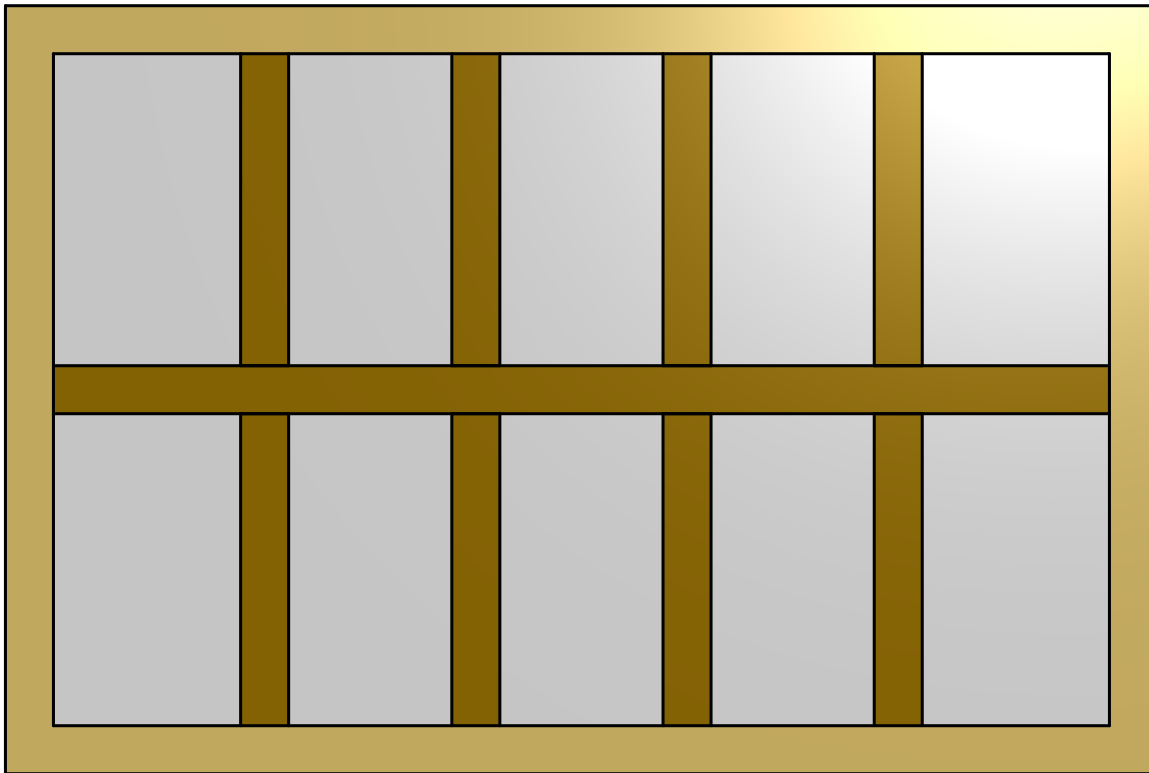


Step 4

Test-fit the dowels into the frame as shown and sand as necessary, using the paper template as a guide. If needed, use the wood blocks as a guide to make sure the pieces are placed in squarely.

Glue the dowels into the frame on top of the paper).

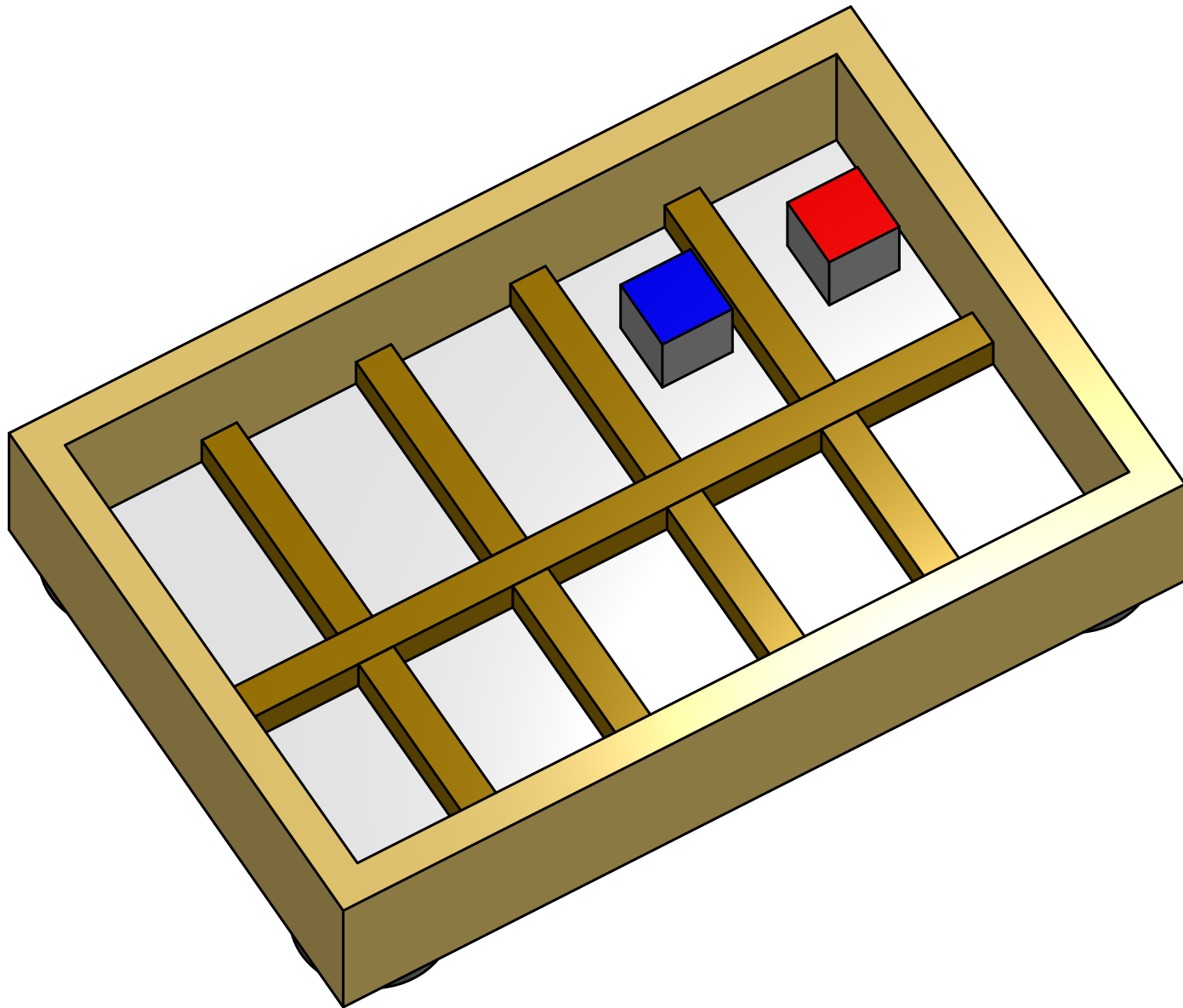
Set aside to dry.



Step 5

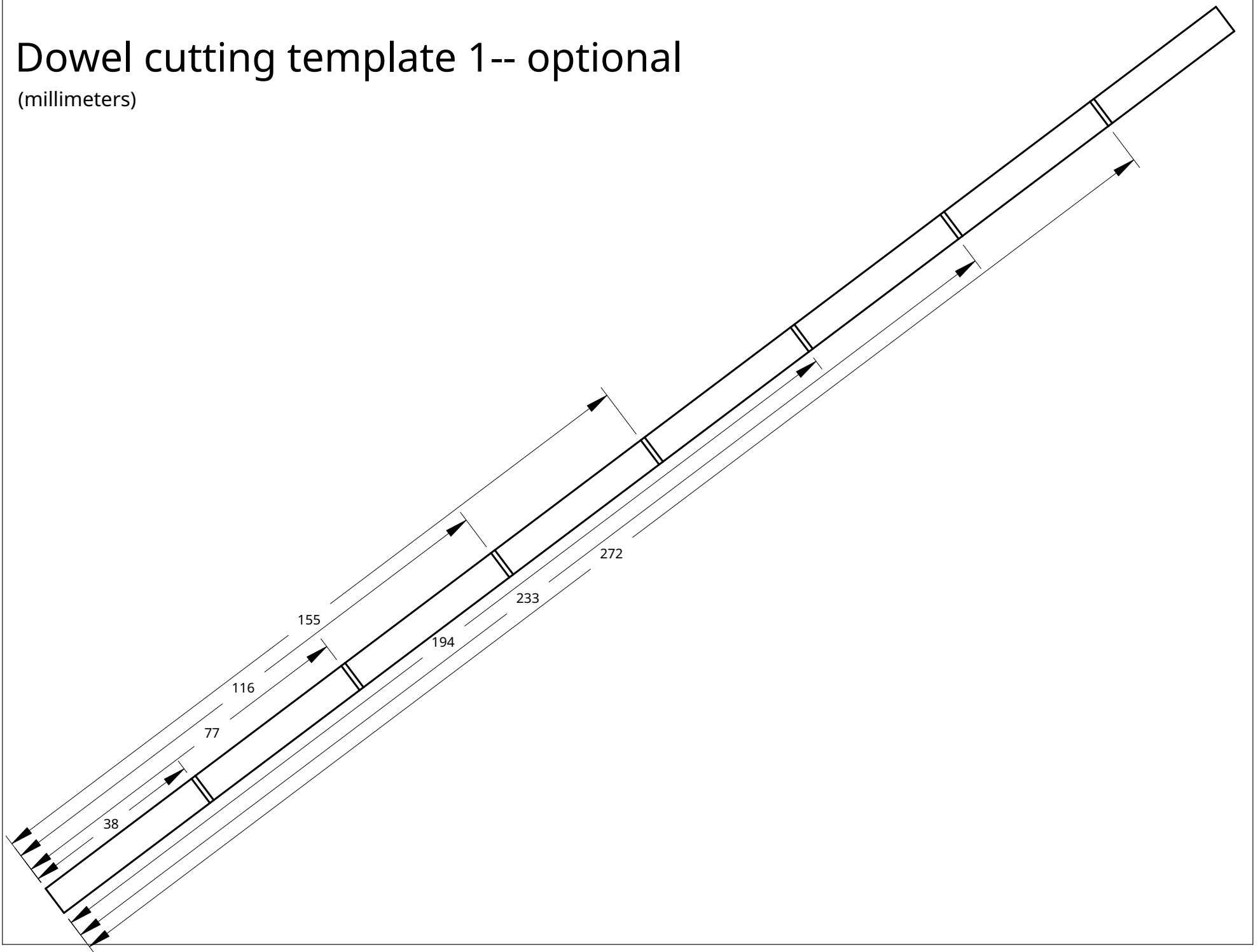
Optional: Paint or color the ten cubes one color on one face and a contrasting color on the opposite face.

Place the cubes in the frame boxes, and start ten-framing!



Dowel cutting template 1-- optional

(millimeters)



Dowel cutting template 2-- optional

(millimeters)

